

CONNECTOR  
PINOUT

PIN NO	DESIGNATION
1	H
2	X
3	S
4	Y
5	L

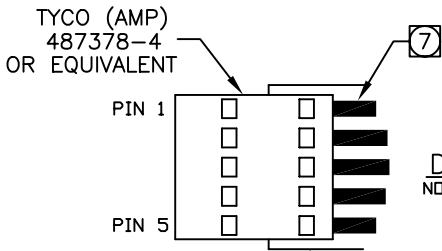
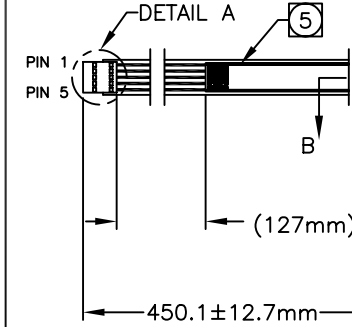
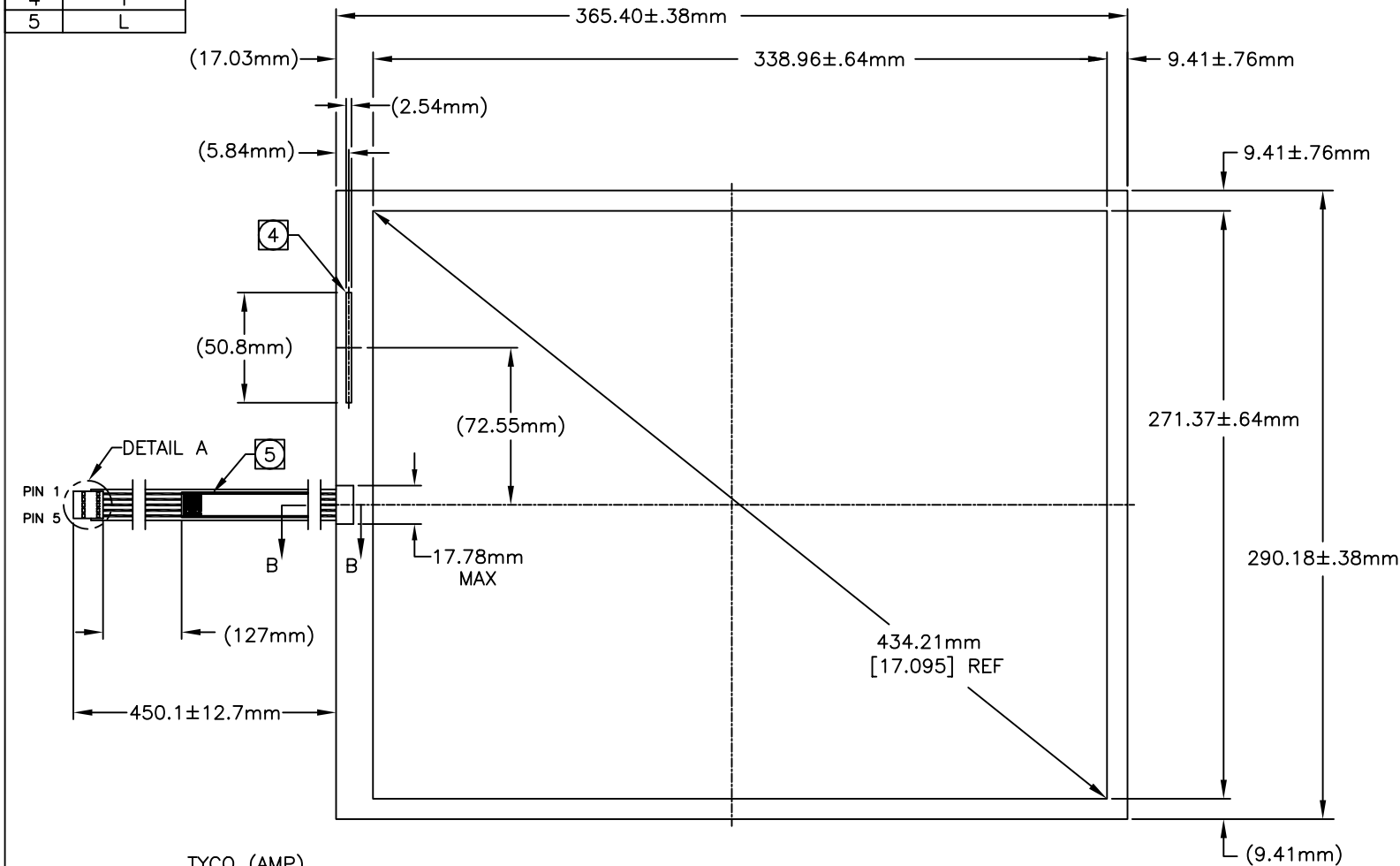
ACCUTOUCH® TOUCHSCREEN

SCN-A5-FLT17.1-Z03-OH1-R

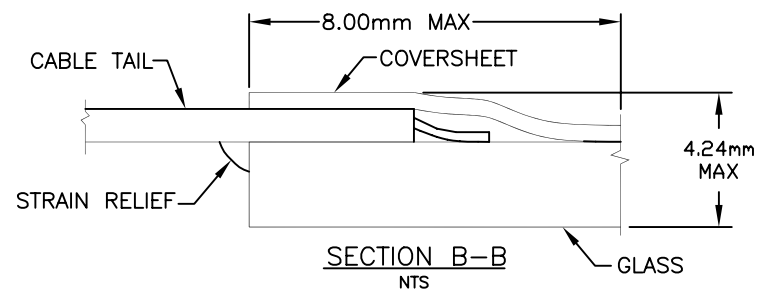
ELO P/N: E676428

NOTES:

- GLASS THICKNESS 3.18mm NOMINAL.
- FINISHED PART THICKNESS 3.48mm NOMINAL.
- FINISHED PART THICKNESS AT CABLE ATTACHMENT AREA 4.24mm MAX.
- FINISHED PART THICKNESS AT COVERSHEET CONTACT 3.86mm MAX.
- LABEL TO BE ATTACHED TO FRONT SIDE OF CABLE.
- CABLE IS ATTACHED TO THE LEFT SIDE OF TOUCHSCREEN AT CENTER POINT AS SHOWN
- PIN 1 TO BE LOCATED AS SHOWN (SEE DETAIL A).



DETAIL A  
NOT TO SCALE



UNLESS OTHERWISE SPECIFIED:  
DIMENSIONS ARE IN mm